

2 μm Polarization Insensitive Circulator

Product Features

The 2 μm Polarization Insensitive Circulator is a high performance lightwave component that routes incoming signals from Port 1 to Port 2, and incoming Port 2 signals to Port 3.

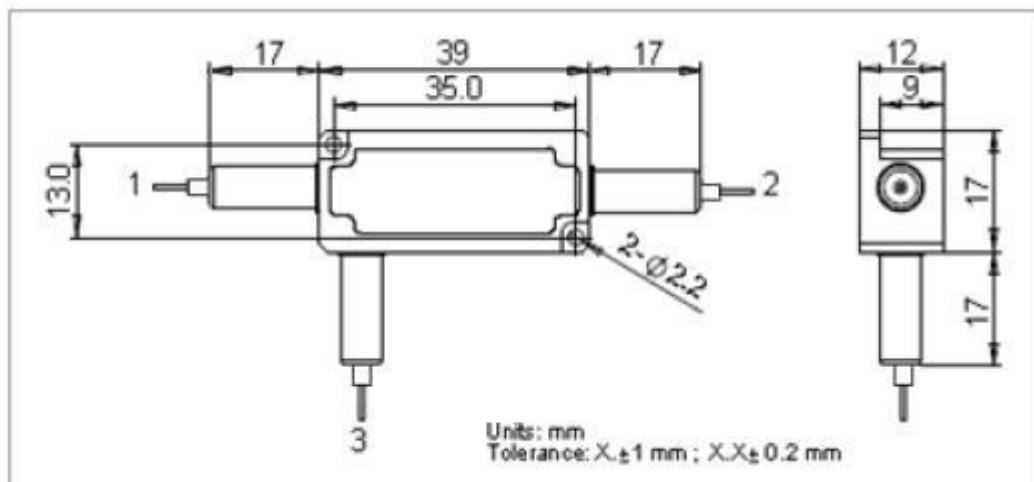
Product Applications

- Fiber laser
- Test Instrumentations
- Power monitoring

Specifications

| Parameter | Unit | Value |
|---|------|---------------------|
| Operating Wavelength | nm | 1950 or 2000 |
| Max. Insertion Loss, 23 °C, $\lambda_c \pm 30$ nm | dB | 1.5 |
| Min. Isolation, 23 °C, $\lambda_c \pm 30$ nm | dB | 16 |
| Min. Crosstalk | dB | 40 |
| Min. Return loss | dB | 50 |
| Max. Polarization Dependent Loss | dB | 0.2 |
| Max. Average Optical Power | W | 0.3, 0.5, 1, 2 or 5 |
| Max. Peak Power for ns Pulse | KW | 10 |
| Max. Tensile Load | N | 5 |
| Fiber Type | - | optional |
| Package Dimensions | mm | 12 × 17 × 39 |
| Operating Temperature | °C | -5 to +70 |
| Storage Temperature | °C | -40 to +85 |

* IL is 0.3 dB higher and RL is 5 dB lower for each connector added. The Optical Power is 1W only for connector added.

**Product Package
Dimensions**

Ordering Information

| FCIR | Wave length | Handling Power | Fiber Type | Pigtail Type | Fiber Length | Connector |
|------|-----------------------------|-------------------------------------|---|---|-------------------------------------|---|
| 1X2 | 2000nm 1950nm Specify | 0.3W 0.5W 1W 5W Specify | Corning SMF-28 Nufern SM 1950 Specify | 250um bare fiber 900um loose tube Specify | 0.5m 1m 1.5m 2m Specify | N=None FC/APC FC/UPC SC/APC SC/UPC LC/UPC Specify |