

# 1060 nm High Power Polarization Insensitive Isolator

## Product description

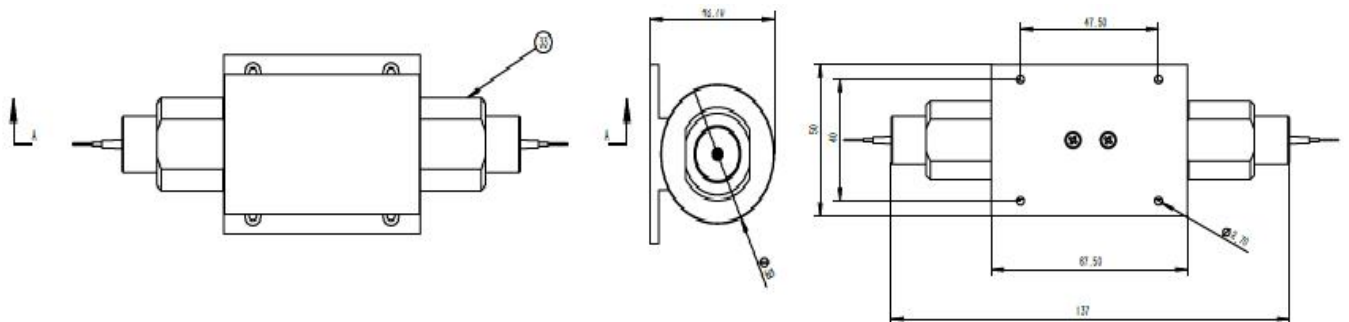
The 1064 nm High Power Polarization Insensitive Isolator is characterized with low insertion loss, high isolation, high power handling, high return loss, excellent environmental stability and reliability. It is ideal for fiber laser and instrumentation applications.



## Specifications

Parameter	Unit	Value
Center Wavelength	nm	1060
Max. Polarization Dependent Loss	dB	0.1
Typ. Peak Isolation	dB	32
Min. Isolation 23 °C	dB	30
Typ. Insertion Loss, 23 °C	dB	1.0
Max. Insertion Loss, 23 °C	dB	0.8
Min. Return Loss (Input/Output)	dB	50/50
Max. Optical Power (continuous wave)	W	20
Max. peak plwer	Kw	10
Max. Tensile Load	N	5
Fiber type	-	HI1060 fiber, specify
Operating Temperature	°C	0 to +50
Storage Temperature	°C	-20 to +75

## Package Dimensions



**Ordering Information**

<b>HPII</b>	<b>Wavelength</b>	<b>stage</b>	<b>Handling power</b>	<b>Pigtail Type</b>	<b>Fiber Length</b>	<b>Connector</b>
<b>1x1</b>	1060nm Specify	Premium A grade	1W 3W 5W 10W	250um bare fiber 900um loose tube Specify	0.5m 1m 1.5m 2m Specify	N=None FC/APC FC/UPC SC/APC SC/UPC LC/UPC Specify