

1030 nm High Power Polarization Maintaining Isolator

Product description

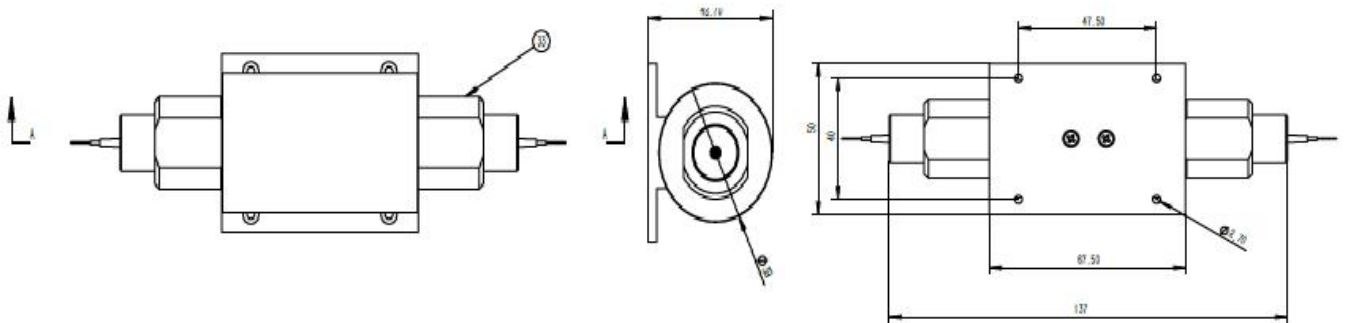
The 1030 nm High Power Polarization Insensitive Isolator is characterized with low insertion loss, high isolation, high power handling, high return loss, excellent environmental stability and reliability. It is ideal for fiber laser and instrumentation applications.



Specifications

Parameter	Unit	Value
Center Wavelength	nm	1030
Max.ER	dB	20
Typ. Peak Isolation	dB	28
Min. Isolation 23 °C	dB	25
Typ. Insertion Loss, 23 °C	dB	1.0
Max. Insertion Loss, 23 °C	dB	1.2
Min. Return Loss (Input/Output)	dB	50/50
Max.Optical Power(continuous wave)	W	1
Max. Tensile Load	N	5
Fiber type	-	PM980 fiber
Operating Temperature	°C	-5 to +70
Storage Temperature	°C	-40 to +85

Package Dimensions



Ordering Information

HPII	Wavelength	stage	Handling power	Pigtail Type	Fiber Length	Connector
1x1	1030nm Specify	Premium A grade	1W 3W 5W 10W	250um bare fiber 900um loose tube Specify	0.5m 1m 1.5m 2m Specify	N=None FC/APC FC/UPC SC/APC SC/UPC LC/UPC Specify