

850nm Broadband Polarization Insensitive Isolator

Product Features

- High performance
- Low Insertion Loss
- High Return Loss

Product Applications

- Communication Systems
- Test Instrumentations
- EDFA
- transmitters

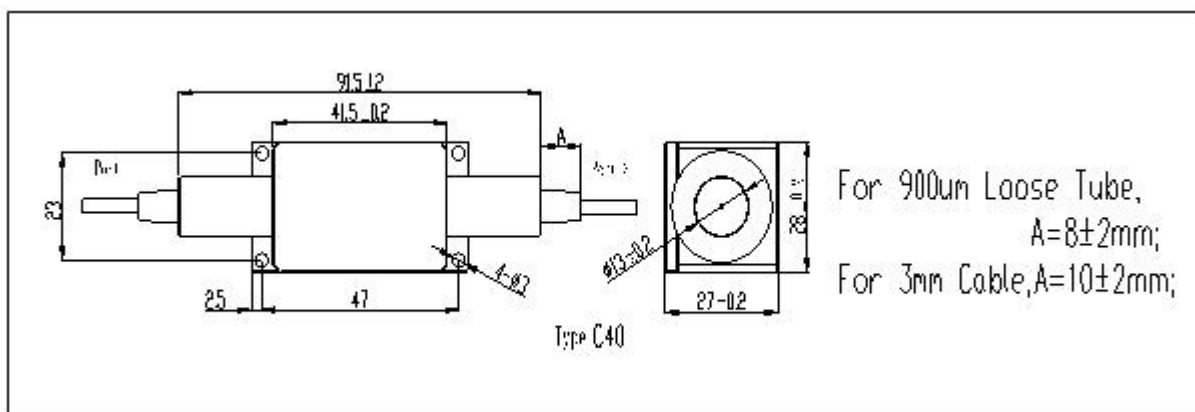
Specifications

Parameter	Unit	Value
Center Wavelength (λ_c)	nm	850
Operating Wavelength Range	nm	± 50
Max. PDL at 23°C, λ_c	dB	0.15
Typ. Isolation	dB	28~32
Min. Isolation at 23°C	dB	23
Typ. Insertion Loss at 23°C, λ_c	dB	1.0
Max. Insertion Loss at 23°C	dB	1.3 @ 850 \pm 30nm, 1.7 @ 850 \pm 40nm, 2.0 @ 850 \pm 50nm
Min. Return Loss (input/output)	dB	50/50
Max. Optical Power (CW)	W	0.3 , 0.5 or specify
Max. Tensile Load	N	5
Fiber Type		HI 780 Fiber
Operating Temperature	°C	0 to +60
Storage Temperature	°C	-20 to+75

* Above specifications are for devices without connectors

* IL is 0.3 dB higher, RL is 5 dB lower for each connector added. Optical Power will be 1W only with connector added.

* for pulse application please contact us!



Ordering Information					
ISO	Wavelength	Handling power	Pigtail Type	Fiber Length	Connector
1x1	850nm Specify	300mW 500mW Specify	250um bare fiber 900um loose tube Specify	0.5m 1m 1.5m 2m Specify	N=None FC/APC FC/UPC SC/APC SC/UPC LC/UPC Specify